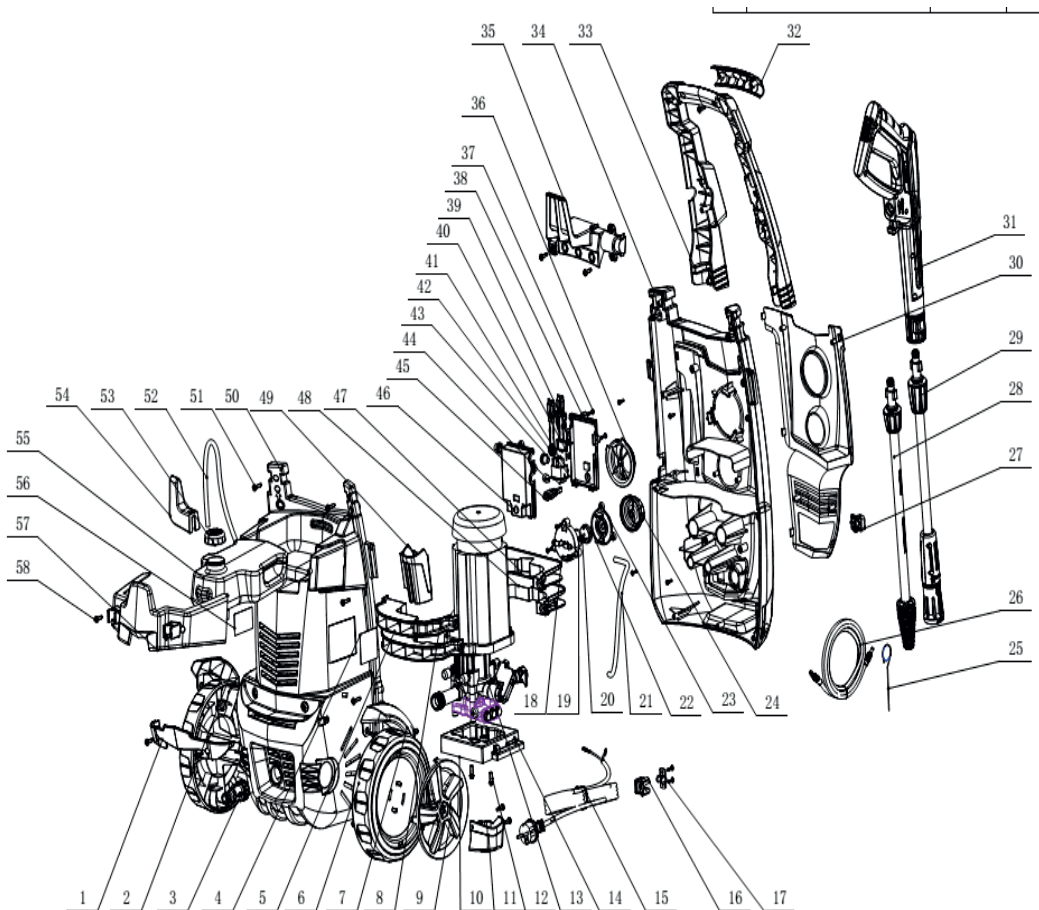


EXPLODED VIEW



SPARE PARTS



1	Accessories bracket	1
2	Wheel guard plate (right)	1
3	Quick connector&water filter	1
4	Rating label	1
5	Lower fixed mount	1
6	Wheel	2
7	Wheel guard plate(left)	1
8	Lower fixed mount	1
9	Wheel cover	2
10	Pump fixed seat	1
11	Gunstock	1
12	Screw	2
13	Motor&pump assy	1
14	Screw	2
15	Power cable	1
16	Cable jacket	1
17	Cable press plate	1
18	Detergent adjusting valve seat	1
19	O-ring	1
20	O-ring	1
21	Built-in detergent tube	1
22	Detergent adjusting valve spool	1
23	Detergent adjusting valve deck	1
24	Detergent adjusting knob	1
25	Cleaning pin	1
26	High pressure hose	1
27	Button	1
28	Turbo Nozzle	1
29	Adjustable Nozzle	1
30	Decorative plate(front)	1
31	Gun	1
32	Handle sleeve	1
33	Handle	1
34	Front housing	1
35	Hose hook	1
36	Switch knob	1
37	Screw	12
38	Main switch box	1
39	Capacitor0.33uf	1
40	EMC winding	2
41	Main switch	1
42	O-ring	1
43	Cable out jacket	2
44	Cable in jacket	1
45	Switch lever	1
46	main switch box	1
47	Upper fixed mount	1
48	Upper fixed mount	1
49	Gun holder	1
50	Back housing	1
51	Screw	13
52	External detergent tube	1
53	Detergent bottle cap	1
54	Cable hook	1
55	Detergent bottle	1
56	Rating label	1
57	Accessories holder	1
58	Screw	14